



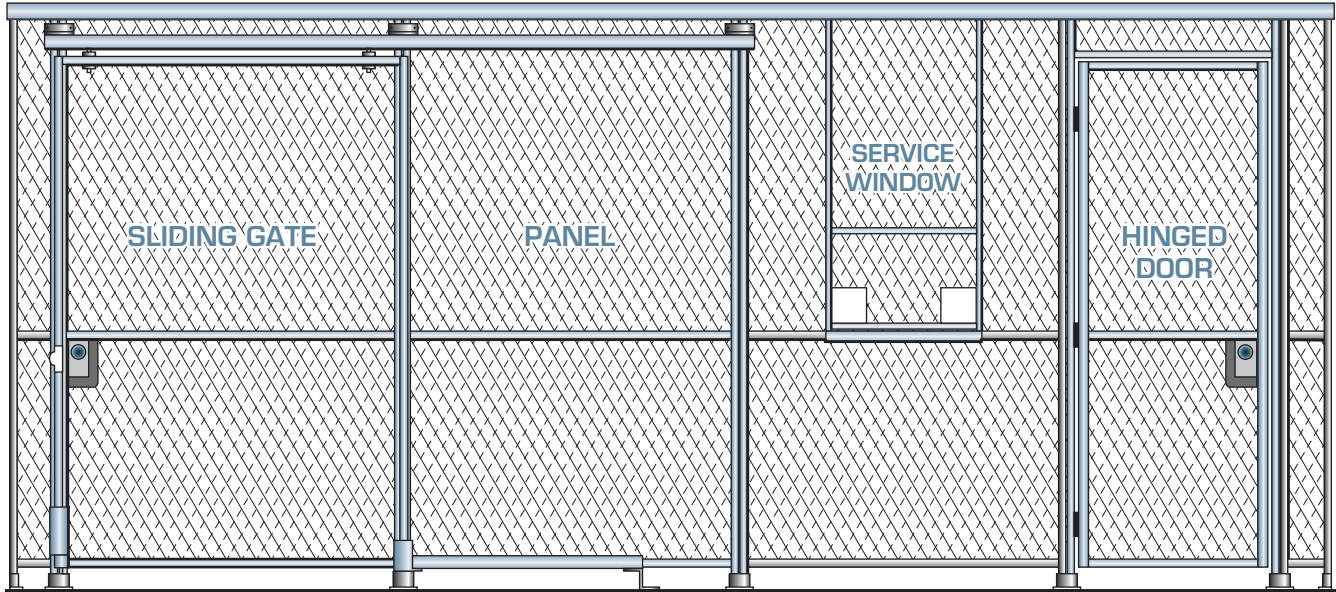
1059 KING GEORGES POST ROAD
EDISON, NEW JERSEY 08837

CUSTOM METAL FABRICATORS & ERECTORS OF:
WOVEN & WELDED MESHES, PERFORATED OR EXPANDED METAL
DIVERSIFIED METAL FABRICATED PRODUCTS IN:
CARBON & STAINLESS STEEL OR ALUMINUM

PHONE: (732) 661-2001 • FAX (732) 661-2003

WEB: www.newarkwireworks.com • EMAIL: sales@newarkwireworks.com

WIRE MESH PARTITIONS



PARTITION SPECIFICATIONS

MODEL NO.	STANDARD DUTY 120	HEAVY DUTY 125	HEAVY DUTY SQUARE MESH 150	
MESH TYPE	1 1/2" Diamond	2" Diamond	2" Square	
WIRE/ROD	10 ga. (.135")	6 ga. (.192")	1/4" dia. (.250")	
CRIMP STYLE	— Intermediate Triple Crimp —		— Lock/Press Crimp —	
P A N E L	Vertical Channel Frames	1 1/4" x 5/8" x 13 ga.	1 1/2" x 3/4" x 11 ga.	2" x 1" x 11 ga.
	Vertical Flat Stiffener (If Required)*	7'-10' ht. Not Required 11'-20' ht. 5/16" x 2 1/2"	7'-12' ht. 5/16" x 2 1/2" 13'-20' ht. 5/16" x 3"	7'-12' ht. 5/16" x 3" 13'-20' ht. 5/16" x 3 1/2"
	Horizontal Channel Frames	1" x 1 1/2" x 11 ga.	1 1/2" x 3/4" x 11 ga.	2" x 1" x 11 ga.
	Center Horizontal Stiffener**	3/4" x 3/8" x 11 ga.	1" x 1 1/2" x 11 ga.	1 1/2" x 3/4" x 11 ga.
	Top Capping Channel	2 1/4" x 1" x 13 ga.	3" x 1 7/16" x 1/8"	4" x 1 9/16" x 5.4 lb.
D O O R	Channel Frames	1 1/4" x 5/8" x 13 ga.	1 1/2" x 3/4" x 11 ga.	2" x 1" x 11 ga.
	Capping Flat	1/8" x 1 1/4"	1/8" x 1 1/2"	1/8" x 2"
	Hinges (Fixed Pin) 3/Door	4" x 3" x .120	4" x 4" x .125	4 1/2 FM
	Lock	Marks 3700 Series		
S L I D I N G G A T E	Channel Frame	1 1/2" x 3/4" x 11 ga.		2" x 1" x 11 ga.
	Capping Flat	1 1/2" x 1/8"		2" x 1/8"
	Top Box Track	1 7/16" x 1 3/4" x 14 ga.	2 5/32" x 2 5/8" x 14 ga.	
	4 Wheel Roller Hangers	1 7/16" Wheel Dia. - 13/32" Stud Dia.	2 7/32" Wheel Dia. - 5/8" Stud Dia.	
	Bottom Guide Channel	1 7/8" x 2" x 1/8"		2 3/8" x 2" x 1/8"
	Lock	Marks 3800 Series		
Fasteners	1/4" - 20 M.S.	3/8" - 13 M.S.	3/8" - 13 Torx M.S.	

* Larger Heights Available - Call Representative

**Channels Riveted Toe To Toe

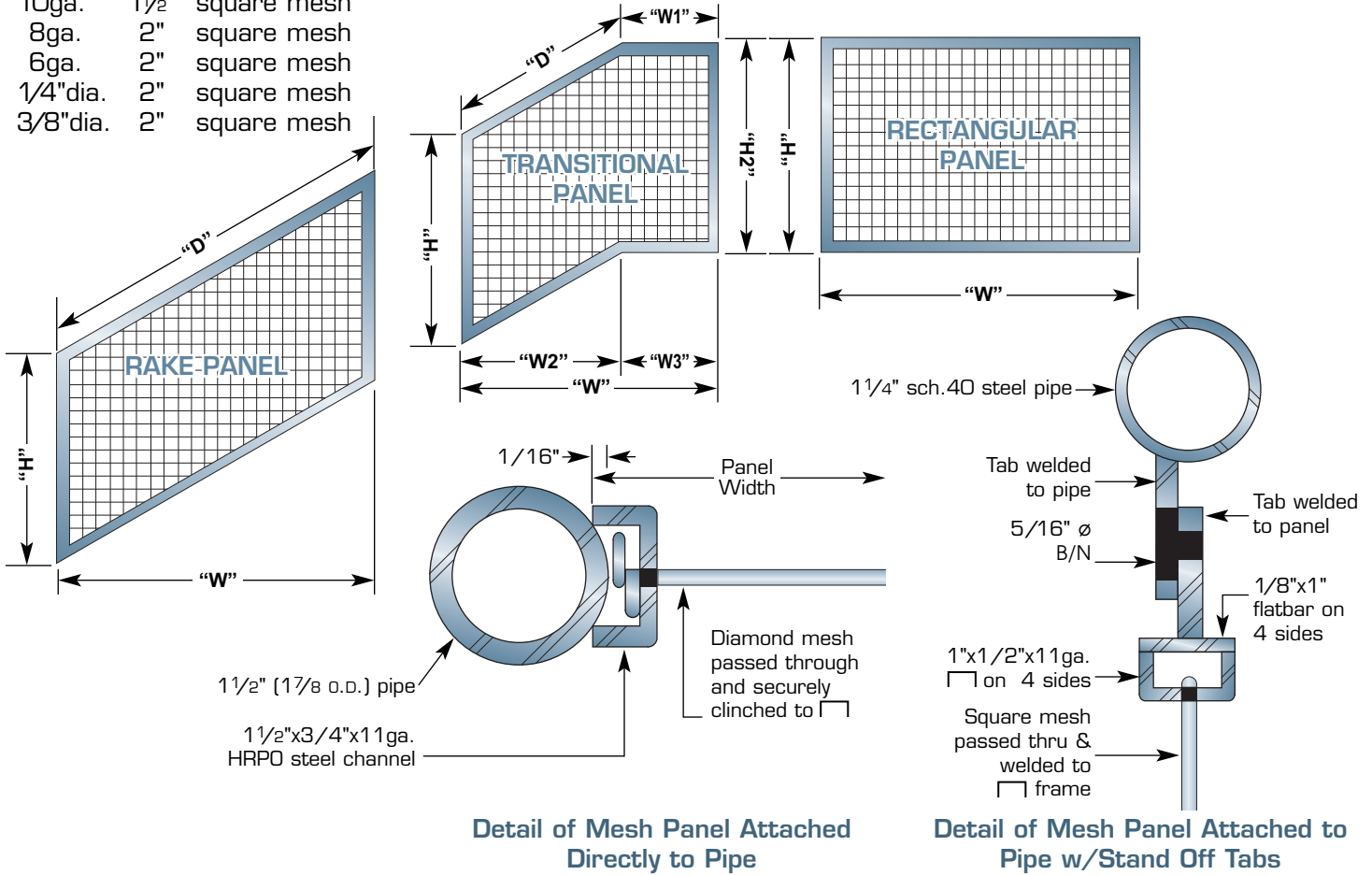
Partitions Available in Painted or Galvanized Steel, stainless steel or aluminum

RAILING INFILL PANELS

AVAILABLE STANDARD MESHES IN PLAIN STEEL

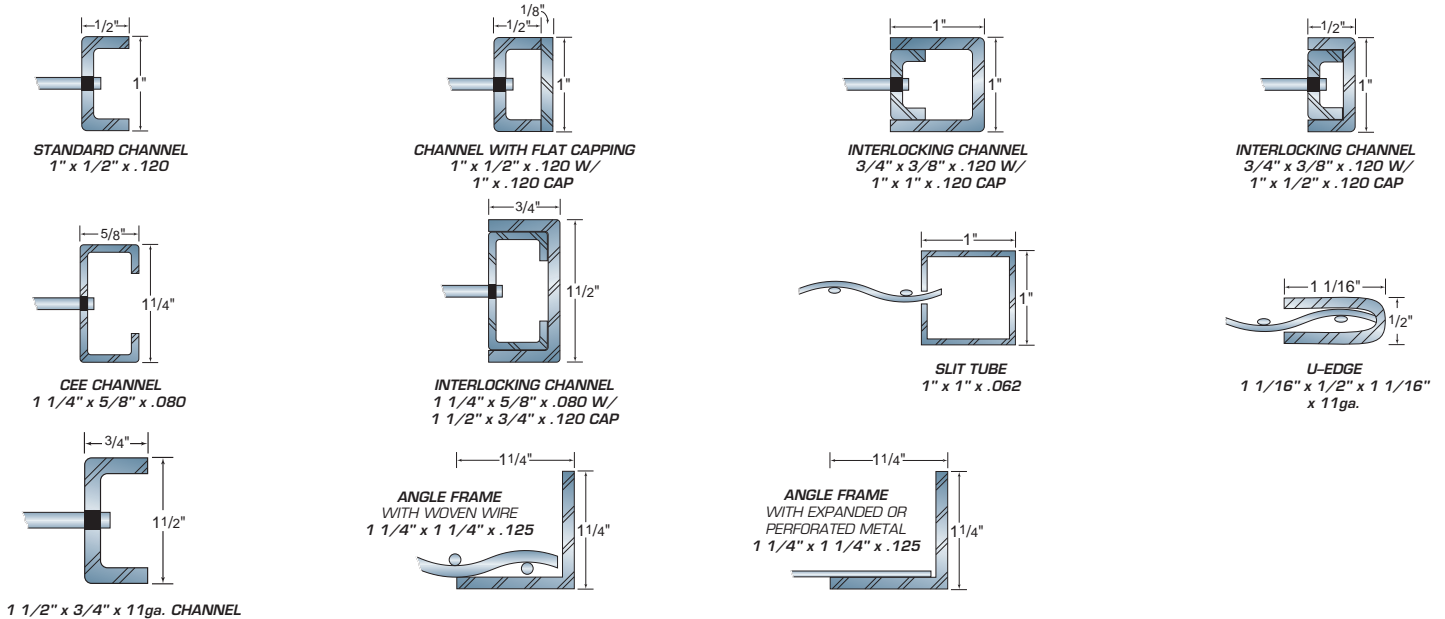
10ga.	1 1/2"	diamond mesh
6ga.	2"	diamond mesh
11ga.	1"	square mesh
10ga.	1 1/2"	square mesh
8ga.	2"	square mesh
6ga.	2"	square mesh
1/4" dia.	2"	square mesh
3/8" dia.	2"	square mesh

Note: All meshes available in carbon steel, stainless steel and aluminum. Other custom meshes in various gauges and patterns available.



FRAMING OPTIONS

Illustrations shown 1/2 scale



PHONE: (732) 661-2001



FAX (732) 661-2003

